

6.0x5.9mm Low Contact Resistance (Surface Mount)

TS-6201 Series

Long-stroke, soft-feel type with a 1.3mm travel, featuring metal contacts for low contact resistance.

 Automotive



- Series type: Soft feeling type
- Absolute Maximum Ratings: 50mA 16V DC
- Rating (min.): 10μA 1V DC

Applications: Audio_TV: Pro audio
Automotive: Navigation/audio systems, HVAC, Overhead consoles, Steering, Shifter

■ Product List

Products No.	Operating direction	Operating force (N)	Travel (mm)	Operating life (cycles)	Initial contact resistance	Dimensions (WxDxH) (mm)	Water-proof	Dust-proof	Automotive	Drawing No.
TS-6201-160	Top push	1.57	1.3	100,000	100mΩ max.	5.9x6.0x5.0	—	—	●	1
TS-6201-200	Top push	1.96	1.3	100,000	100mΩ max.	5.9x6.0x5.0	—	—	●	
TS-6201-260	Top push	2.45	1.3	100,000	100mΩ max.	5.9x6.0x5.0	—	—	●	
TS-6201-320	Top push	3.0	1.3	100,000	100mΩ max.	5.9x6.0x5.0	—	—	●	

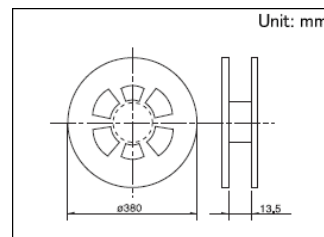
 Note

1. This catalog shows only outline specifications. When using the products, please obtain formal specifications for supply.
2. Please place purchase orders for taping products per minimum order unit (1 reel or a case).

■ Packing Specifications

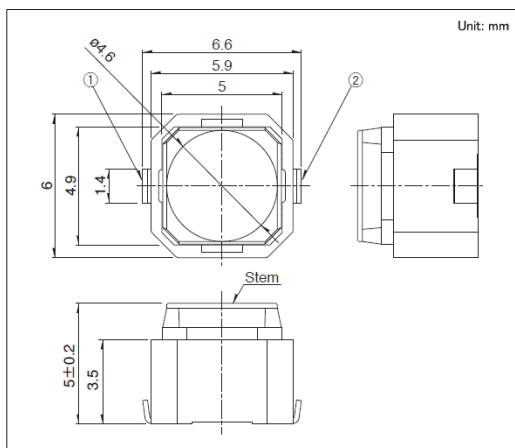
Taping

Number of packages (pcs.)			Tape width (mm)	Export package measurements (mm)
1 reel	1 case / Japan	1 case / export packing		
2,000	20,000	20,000	12	395 x 395 x 205

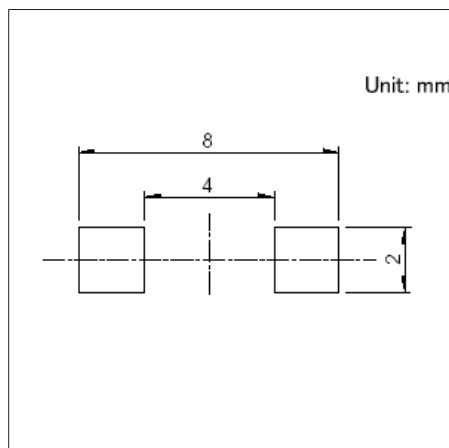


Drawing No.1

■ Dimensions



■ Land Dimensions



■ Circuit Diagram

