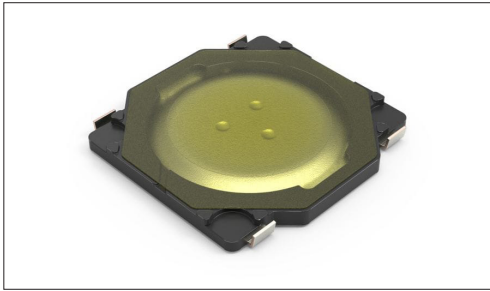


3.7mm Square (Surface Mount)

TS-1189M

Compact, thin-profile type with a height of 0.35mm.



- Series type: Sharp feeling type
- Absolute Maximum Ratings: 50mA 12V DC
- Rating (min.): 10μA 1V DC

Applications: Mobile: Headsets, wearables, Notebooks, peripherals  
 Audio\_TV: Visual, Audio, Cameras

■ Product List

Products No.	Operating direction	Operating force (N)	Travel (mm)	Operating life (cycles)	Initial contact resistance	Dimensions (W×D×H) (mm)	Water-proof	Dust-proof	Automotive	Drawing No.
TS-1189M-160	Top push	1.57	0.15	100,000	100mΩ max.	3.7×3.7×0.35	—	—	—	1
TS-1189M-260	Top push	2.45	0.15	100,000	100mΩ max.	3.7×3.7×0.35	—	—	—	

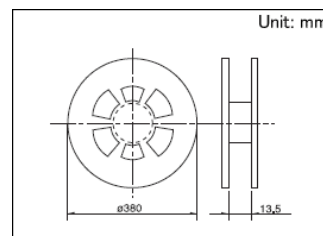
⚠ Note

1. This catalog shows only outline specifications. When using the products, please obtain formal specifications for supply.
2. Please place purchase orders for taping products per minimum order unit (1 reel or a case).

■ Packing Specifications

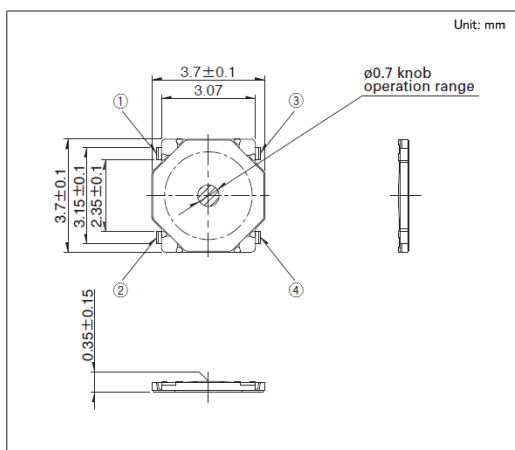
Taping

Number of packages (pcs.)			Tape width (mm)	Export package measurements (mm)
1 reel	1 case / Japan	1 case / export packing		
10,000	100,000	100,000	12	395 x 395 x 205

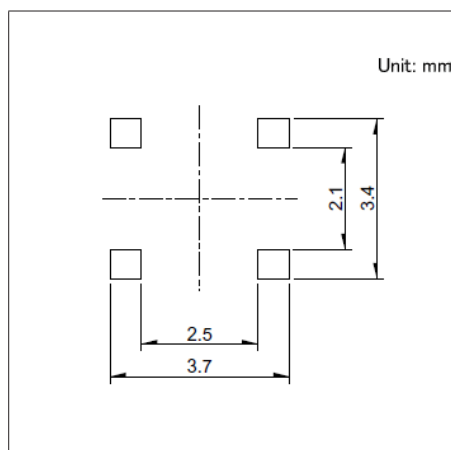


Drawing No.1

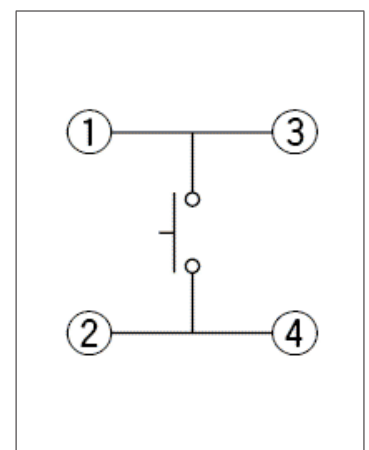
■ Dimensions



■ Land Dimensions



■ Circuit Diagram



Viewed from mounting face.