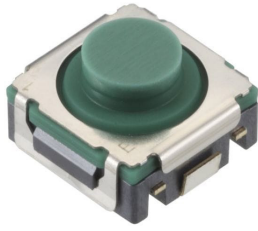


8.5mm Square (Surface Mount)

TS-1185A

Type with a height of 3.95mm, delivering a refined operation feel with a mid-stroke.

 Automotive



- Series type: Sharp feeling type
- Absolute Maximum Ratings: 50mA 16V DC
- Rating (min.): 10μA 1V DC

Applications: Automotive: Navigation/audio systems, HVAC, Overhead consoles, Steering, Shifter

■ Product List

Products No.	Operating direction	Operating force (N)	Travel (mm)	Operating life (cycles)	Initial contact resistance	Dimensions (W×D×H) (mm)	Water-proof	Dust-proof	Automotive	Drawing No.
TS-1185A-400H3.95	Top push	4.0	0.75	500,000	100mΩ max.	8.5×8.5×3.95	—	—	●	1

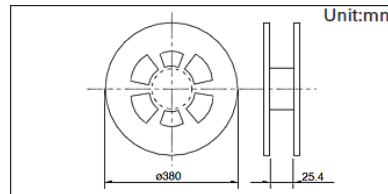
 Note

1. This catalog shows only outline specifications. When using the products, please obtain formal specifications for supply.
2. Please place purchase orders for taping products per minimum order unit (1 reel or a case).

■ Packing Specifications

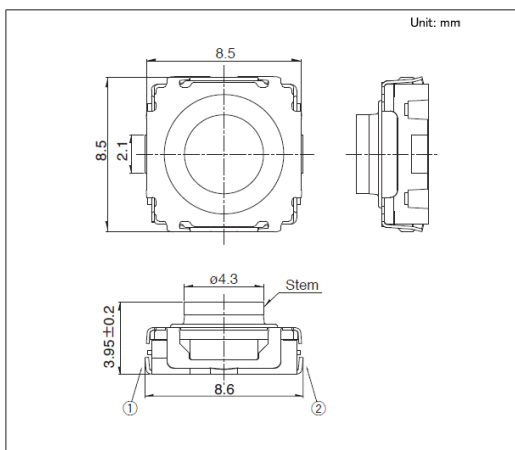
Taping

Number of packages (pcs.)			Tape width (mm)	Export package measurements (mm)
1 reel	1 case / Japan	1 case / export packing		
1,500	9,000	9,000	24	395 x 395 x 205

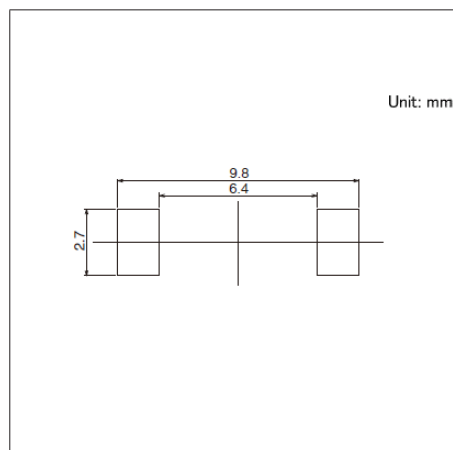


Drawing No.1

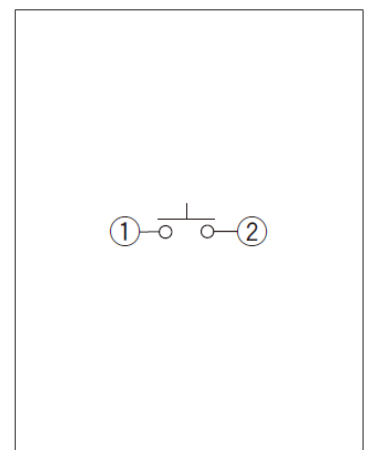
■ Dimensions



■ Land Dimensions



■ Circuit Diagram



Viewed from switch mounting face